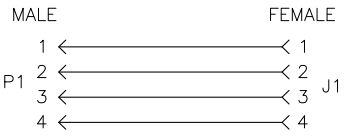
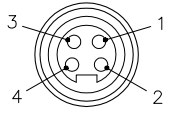
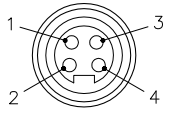


MALE END VIEW

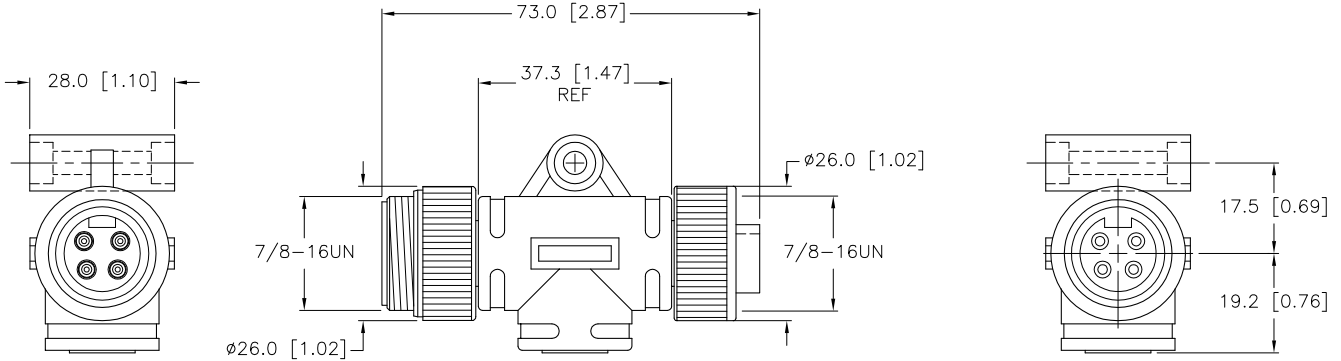
FEMALE END VIEW

WIRING DIAGRAM

SPECIFICATIONS



| | |
|--------------------------------|----------------------------------|
| CONTACT CARRIER MATERIAL/COLOR | TPU/BLACK |
| MOLDED HEAD MATERIAL/COLOR | TPU/YELLOW |
| CONTACT MATERIAL/PLATING | BRASS/GOLD |
| COUPLING NUT MATERIAL/PLATING | BRASS/NICKEL |
| RATED CURRENT [A] | 9.0 |
| RATED VOLTAGE [VDC] | 250 V |
| TEMPERATURE RATING | -40°C TO +80°C (-40°F TO +176°F) |
| PROTECTION CLASS | MEETS NEMA 1,3,4,6P AND IEC IP67 |



SOURCE DRAWING - FOR REFERENCE ONLY

| | | | | | | |
|---|------------------------------------|---|------------------------|---|--|--------------------------------|
| RELATED DOCUMENTS 1. 2. 3. 4. | 3RD ANGLE PROJECTION | THIS DRAWING IS PROPERTY OF TURCK INC. USE OF THIS DOCUMENT WITHOUT WRITTEN PERMISSION IS PROHIBITED. | | 3000 CAMPUS DRIVE MINNEAPOLIS, MN 55441 1-800-544-7769 (763) 553-7300 (763) 553-0708 fax turck.com | | |
| | MATERIAL SEE SPECIFICATIONS | ALL DIMENSIONS DISPLAYED ON THIS DRAWING ARE FOR REFERENCE ONLY | DRFT RDS DATE 09/04/08 | DESCRIPTION RSM RKM 40 | | |
| FINISH SEE SPECIFICATIONS | CONTACT TURCK FOR MORE INFORMATION | | DSGN SCALE 1=1.5 | UNIT OF MEASUREMENT MILLIMETER [INCH] | | IDENTIFICATION NO. U2-14654 |
| B DRAWING PROCESSED AS PART OF ECO 33971 | CBM 04/07/11 33971 | DO NOT SCALE THIS DRAWING | | FILE: U2-14654 | | SHEET 1 OF 1 |
| REV DESCRIPTION | BY DATE ECO NO. | | | | | |